

A5 Flat Rod Systems

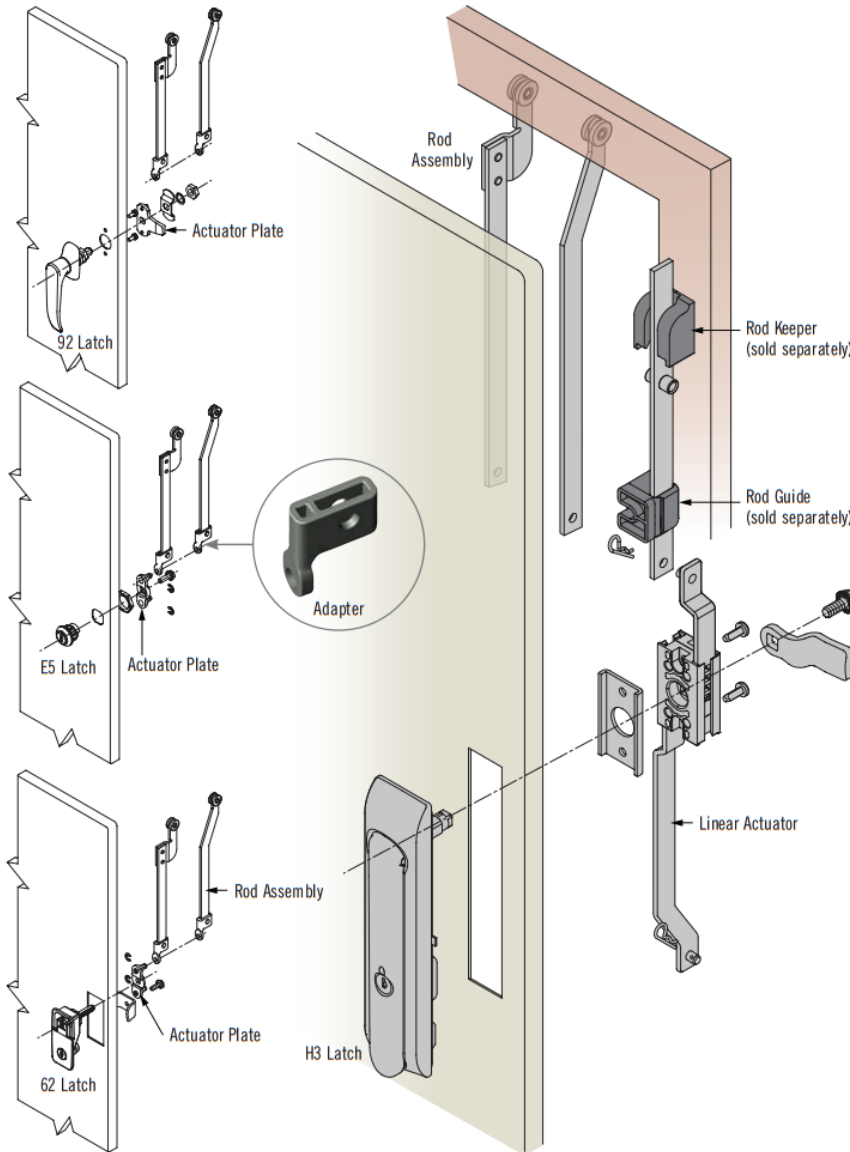
Rods · Guides · Adapters · Keepers

Features

- Compatible with standard Southco latches, providing a variety of operating styles
- Mid roller system allows latching outside of gasketed area

Material

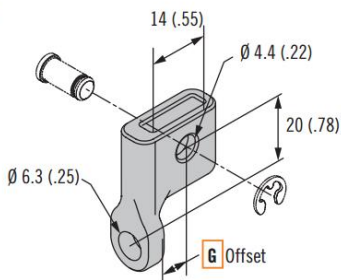
- Rods: Steel, zinc nickel plated
- Rod rollers: Stainless steel or glass-filled nylon, black
- Rod guides: Glass-filled nylon, black
- Flat rod keeper: Zinc alloy, black powder coated



Notes

1. Determine rod style and length desired
2. Choose actuator plate or linear actuator to match latch family
3. Choose adapter to match latch family (adapters are used with A5-F30 and A5-F50 rods only)

Adapter



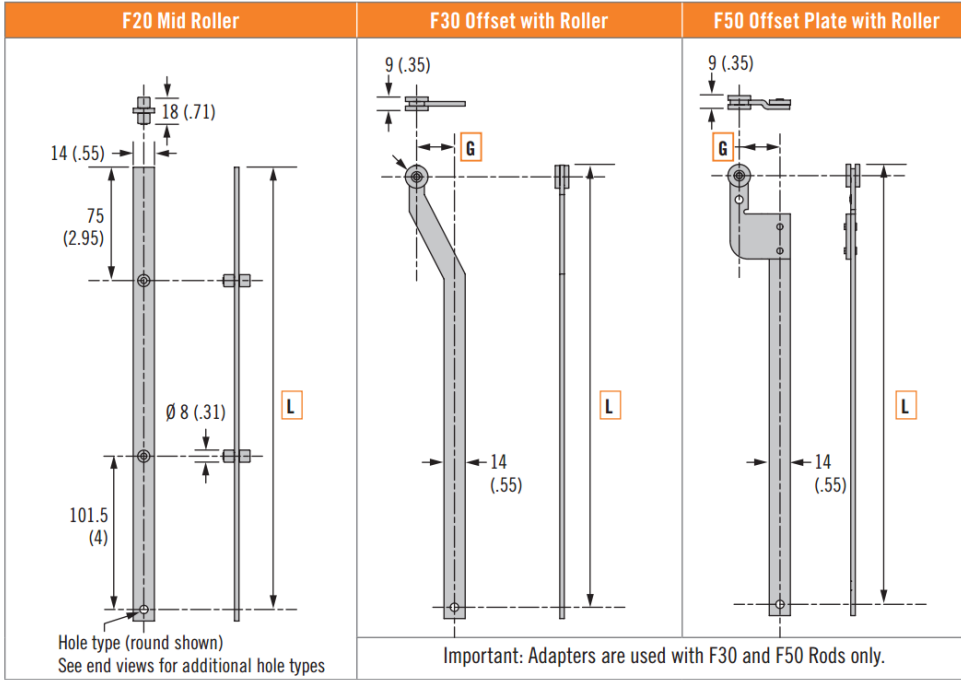
| Latch Family | H3 | 92 | E5 | 62 |
|-----------------|------------|-----------|-------------|--------------|
| Adapter Type A | Adapter 1 | Adapter 2 | Adapter 3 | Adapter 4 |
| Offset G | 3.25 (.13) | 7.8 (.31) | 17.25 (.68) | -7.55 (-.30) |

A5 Flat Rod Systems

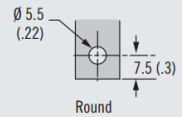
Rods · Guides · Adapters · Keepers

Features

- Modular actuators to suit multiple latch families using A5 flat rods



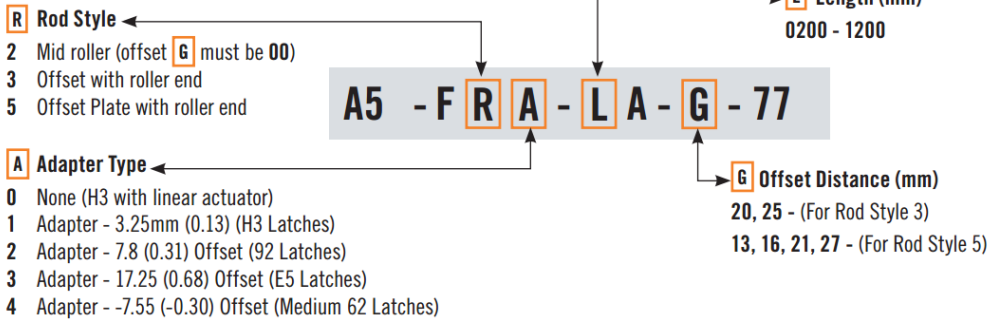
Standard Hole Detail



Others available upon request



Rod Assembly Part Number



Mid Roller

Rod Guide A5-F90-71



Rod Keeper A5-F80-69



Flat Rod Actuator Plate Part Number

| Operating Latch Families | E5-5 | E5-6 | E5-9 | H3-50 | H3-60 | 62 Series M8 threaded shaft | 92 Series M10 threaded shaft |
|----------------------------|--------------|------|------|--------------|-------|-----------------------------|------------------------------|
| Actuator Plate Part Number | A5-90-102-11 | | | | | A5-90-303-11 | A5-90-401-11 A5-90-501-11 |
| Adapter Type A | A = 3 | | | A = 1 | | A = 4 | A = 2 |

southco®

MULTI-POINT LATCH SYSTEMS

A5 Modular System

Actuator plates

Features

- Modular actuators to suit multiple latch families using A5 modular rods

Material

- Zinc alloy, steel, zinc plated and stainless steel set screw

Notes

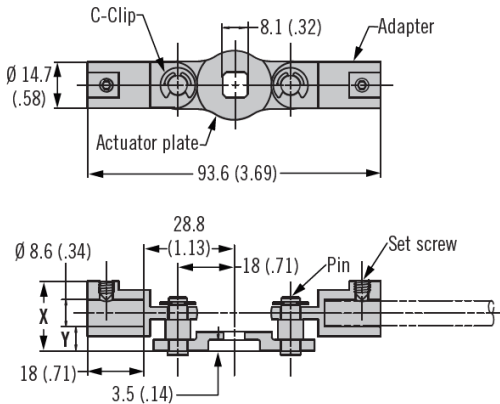
- Choose actuator plate to match latch family (one per latch required)
- Order rods and rod guides separately



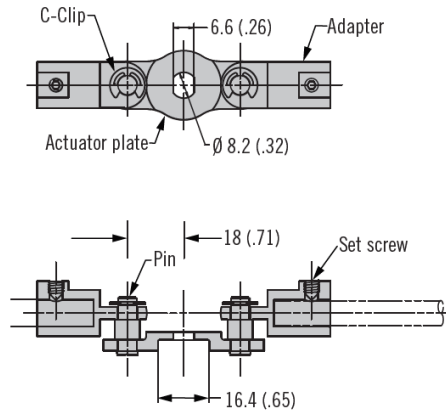
| Part Number | X | Y |
|--------------|-------------|------------|
| A5-90-101-11 | 22.2 (0.87) | 4.7 (0.18) |
| A5-90-104-11 | 25.2 (0.99) | 7.7 (0.30) |
| A5-90-401-11 | 22.6 (0.89) | 5.1 (0.20) |
| A5-90-501-11 | 23.4 (0.92) | 5.9 (0.23) |

Actuator Plate

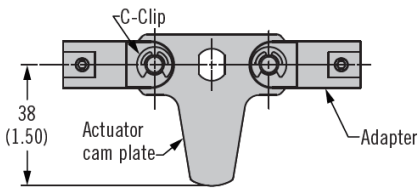
A5-90-101-11



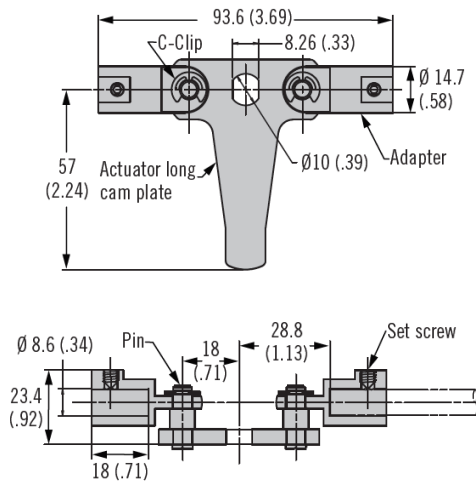
A5-90-301-11



A5-90-401-11 (Short Cam)



A5-90-501-11 (Long Cam)



| Actuator Plate Part Number | | | | | | | |
|----------------------------|--------------|--|--|--|--------------|--------------|--------------|
| Operating Latch Families | | | | | | | |
| Actuator Plate Part Number | A5-90-101-11 | | | | A5-90-301-11 | A5-90-401-11 | A5-90-501-11 |